

New absolute encoder generation for AM3000 Servomotors

AX5000 supports BiSS interface

→ With the AX Servo Drives, AM Servomotors and AL Linear Servomotors, Beckhoff Automation offers a fully-matched drive system for highly dynamic positioning tasks.



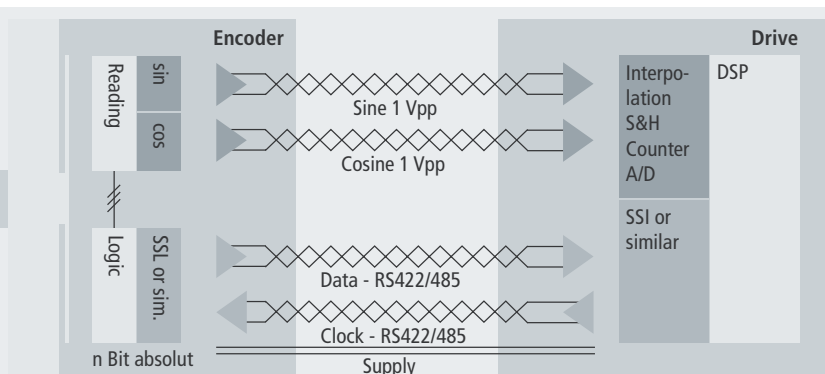
The latest member of the drives family is the AX5000 Servo Drive generation, designed for optimum functionality and cost-effectiveness. The AX5000 offers flexible and universal connection options. Almost all feedback systems, such as the bidirectional sensor interface (BiSS), are supported.

The new BiSS absolute encoders for the AM3000 Servomotors represent a further expansion of the Beckhoff range of products. BiSS is a new high-speed interface with a data throughput of 10 Mbit/s. It can run in synchronous or asynchronous mode and is, therefore, ideally suited as a feedback system. In addition to the digital interface, these absolute encoders also transfer the traditional 1-V_{SS} signals for interpolation purposes.

Application parameters or data records can be transferred via the digital interface, thereby enabling an electronic name plate. All built-in encoders have a resolution of 2048 sine waves per revolution and are suitable for installation in devices from size AM302x.

The encoders for the AM3000 motors are very compact and have the advantage of being easy to install and resolver-compatible as regards mechanics. This saves costly mounting and case components that drive up the motor price for other absolute encoders. In addition, no derating at higher temperatures is required for motors equipped with these encoders.

→ Servomotors AM3000
www.beckhoff.com/am3000



BiSS interface and analysis